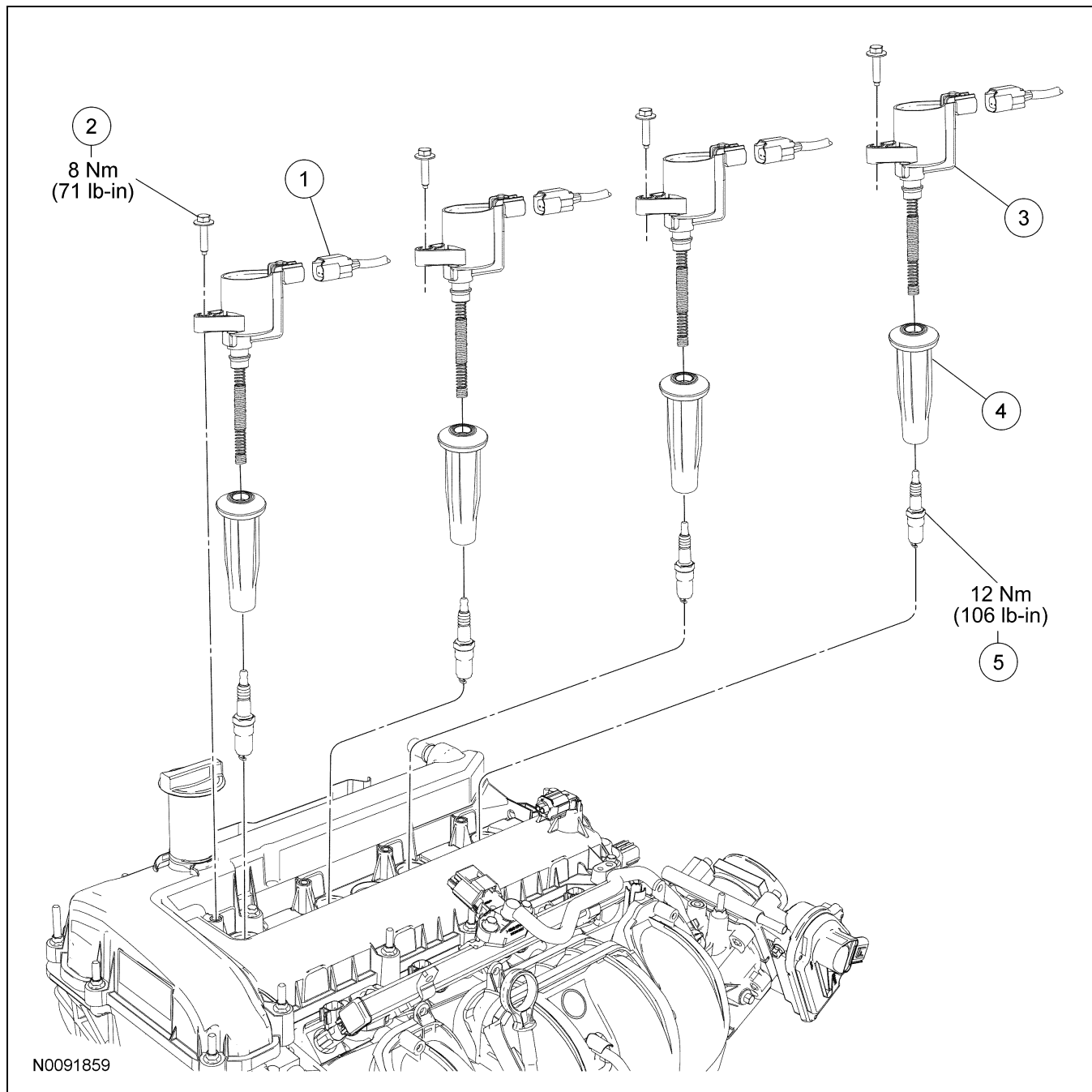


## REMOVAL AND INSTALLATION

### Engine Ignition Components — Exploded View



Item	Part Number	Description
1	14A464	Ignition coil electrical connector (4 required)
2	W500215	Ignition coil bolt (4 required)

(Continued)

Item	Part Number	Description
3	12A366	Ignition coil (4 required)
4	12A402	Coil boot (4 required)
5	12405	Spark plug (4 required)

---

**REMOVAL AND INSTALLATION (Continued)**

1. For additional information, refer to the procedures in this section.
-