

REMOVAL AND INSTALLATION

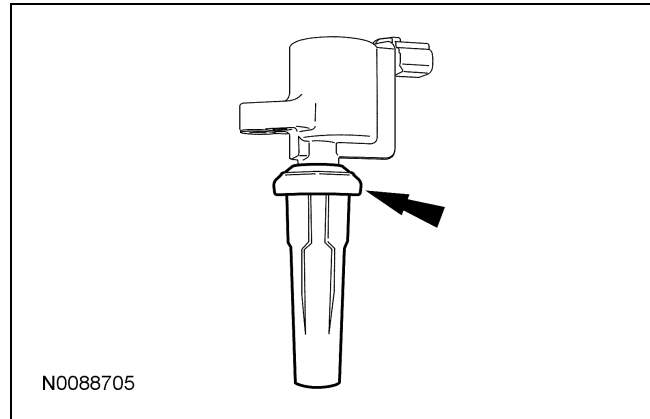
Ignition Coil-On-Plug

Material

Item	Specification
Silicone Brake Caliper Grease and Dielectric Compound XG-3-A	ESE-M1C171-A

Removal and Installation

1. Disconnect the 4 ignition coil electrical connectors.
2. **NOTE:** When removing the ignition coil-on-plugs, a slight twisting motion will break the seal and ease removal.
Remove the 4 bolts and the ignition coils.
 - To install, tighten to 8 Nm (71 lb-in).
3. Inspect the coil seals for rips, nicks or tears.
Remove and discard any damaged coil seals.
 - To install, slide the new coil seal onto the coil until fully seated at the top of the coil.



4. To install, reverse the removal procedure.
 - Apply a small amount of dielectric grease to the inside of the ignition coil boots before attaching to the spark plugs.