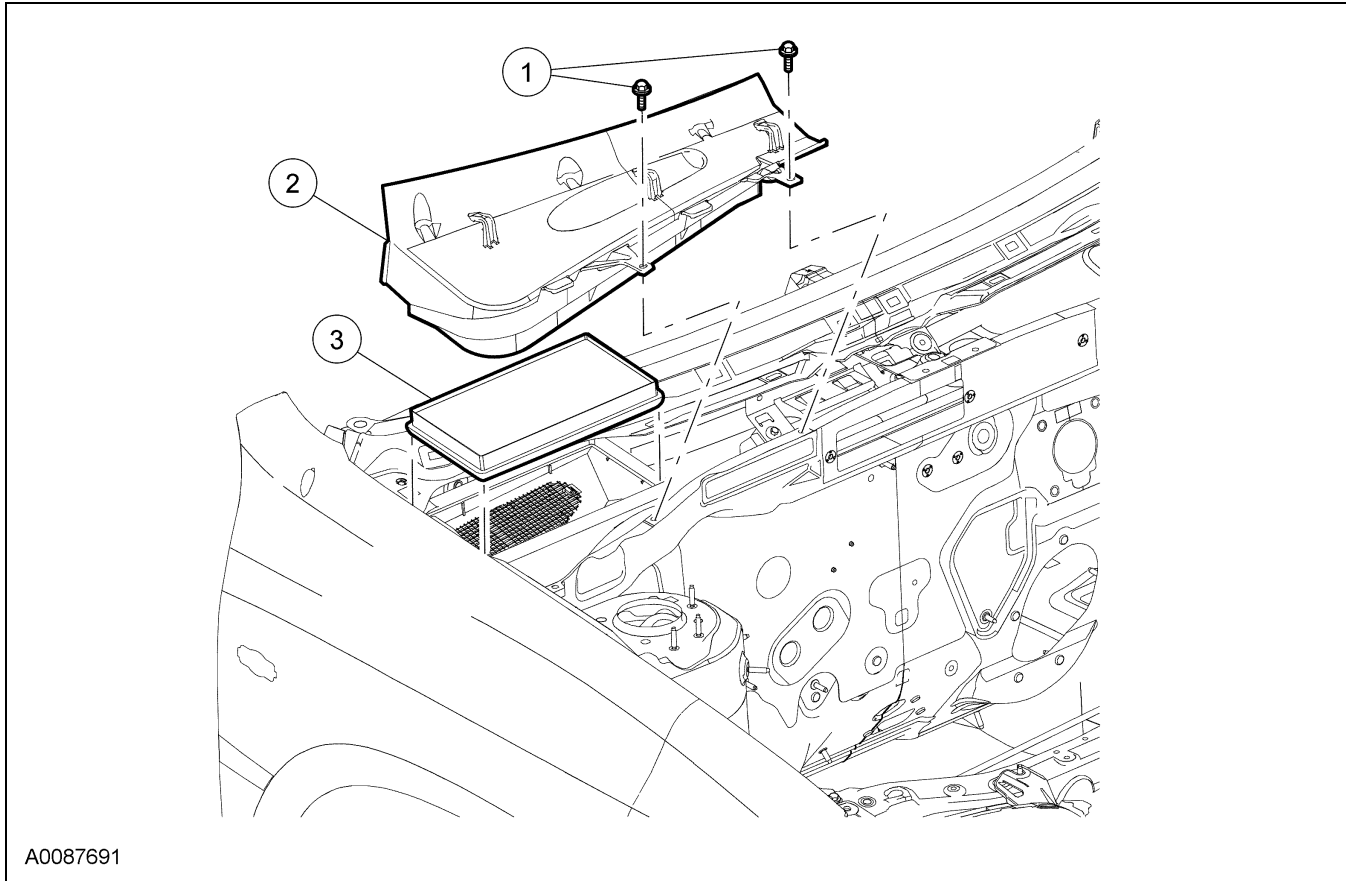


REMOVAL AND INSTALLATION

Cabin Air Filter



Item	Part Number	Description
1	W701696	Water shield screws (2 required)
2	—	Water shield
3	19N619	Cabin air filter

2. Remove the 2 water shield screws and the water shield.
3. Remove the cabin air filter.
4. To install, reverse the removal procedure.

Removal and Installation

1. Remove the RH cowl panel grille. For additional information, refer to Section 501-02.