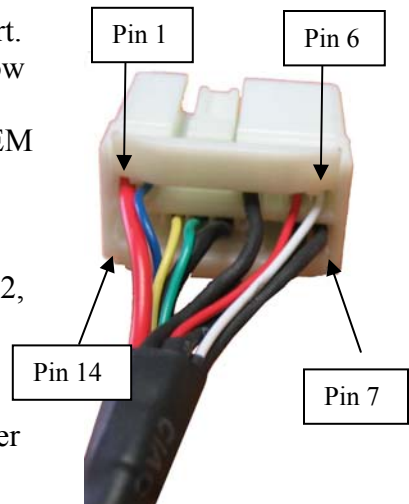


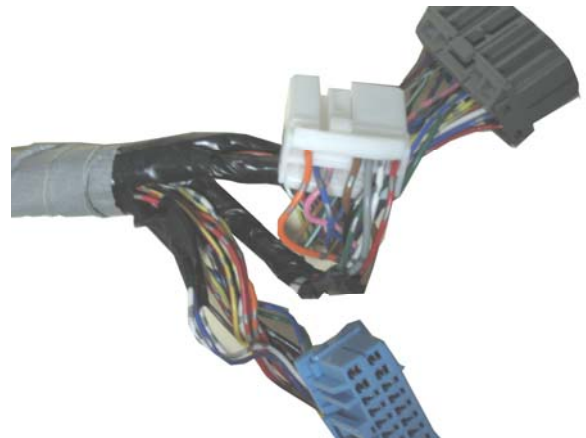
**Topic:** Connecting I20\_Honda\_R3 iPod car kit to Navigation equipped Honda vehicles.

**Procedure:** You will need to make a “Y” cable connection

- 1) Remove the factory harness from the CD-changer port.
- 2) Gently open up the insulation on the green (11), yellow (12), and black (3) wires.
- 3) Find the wires that are in the same position on the OEM changer connector and gently open the insulation on them.
- 4) Use copper wires to connect OEM pin 11 to iceLink harness pin 11, OEM pin 12 to iceLink harness pin 12, OEM pin 3 to iceLink harness pin 3.
- 5) Do not cut the wire on the harnesses, but only make a Y connection on each side.
- 6) Connect the iceLink harness to the factory CD changer port.
- 7) Verify operation.



Cable colors on factory harness will vary from vehicle to vehicle.



If this procedure does not work then you will have to use a factory Y harness cable such as Honda part # 08A31-0F1-000

