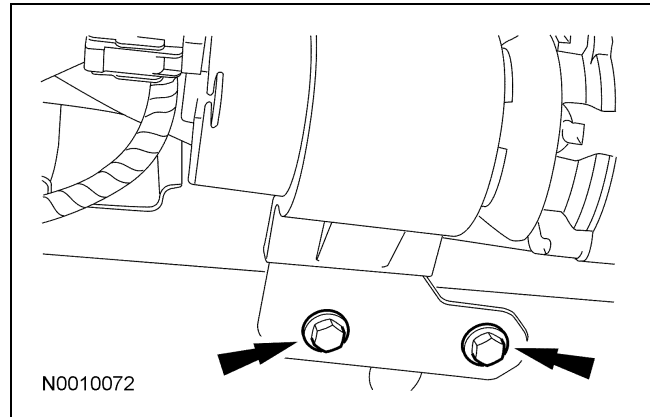
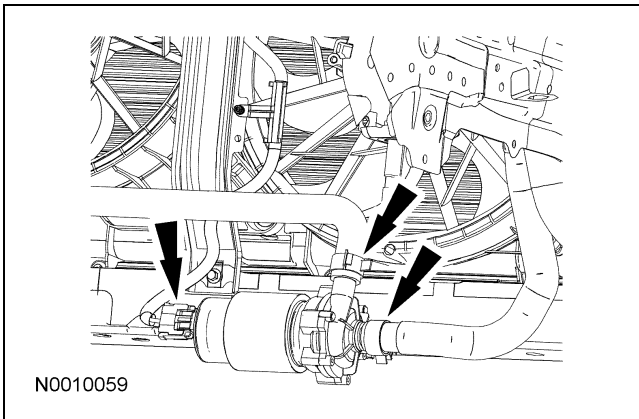


REMOVAL AND INSTALLATION

Motor Electronics Pump

1. Drain the motor electronics cooling system (MECS). For additional information, refer to Motor Electronics Cooling System Draining and Filling in this section.
2. Disconnect the inlet and outlet hoses.
 - Disconnect the harness connector.



4. To install, reverse the removal procedure.

3. Remove the bolts.
 - To install, tighten to 20 Nm (15 lb-ft).
-